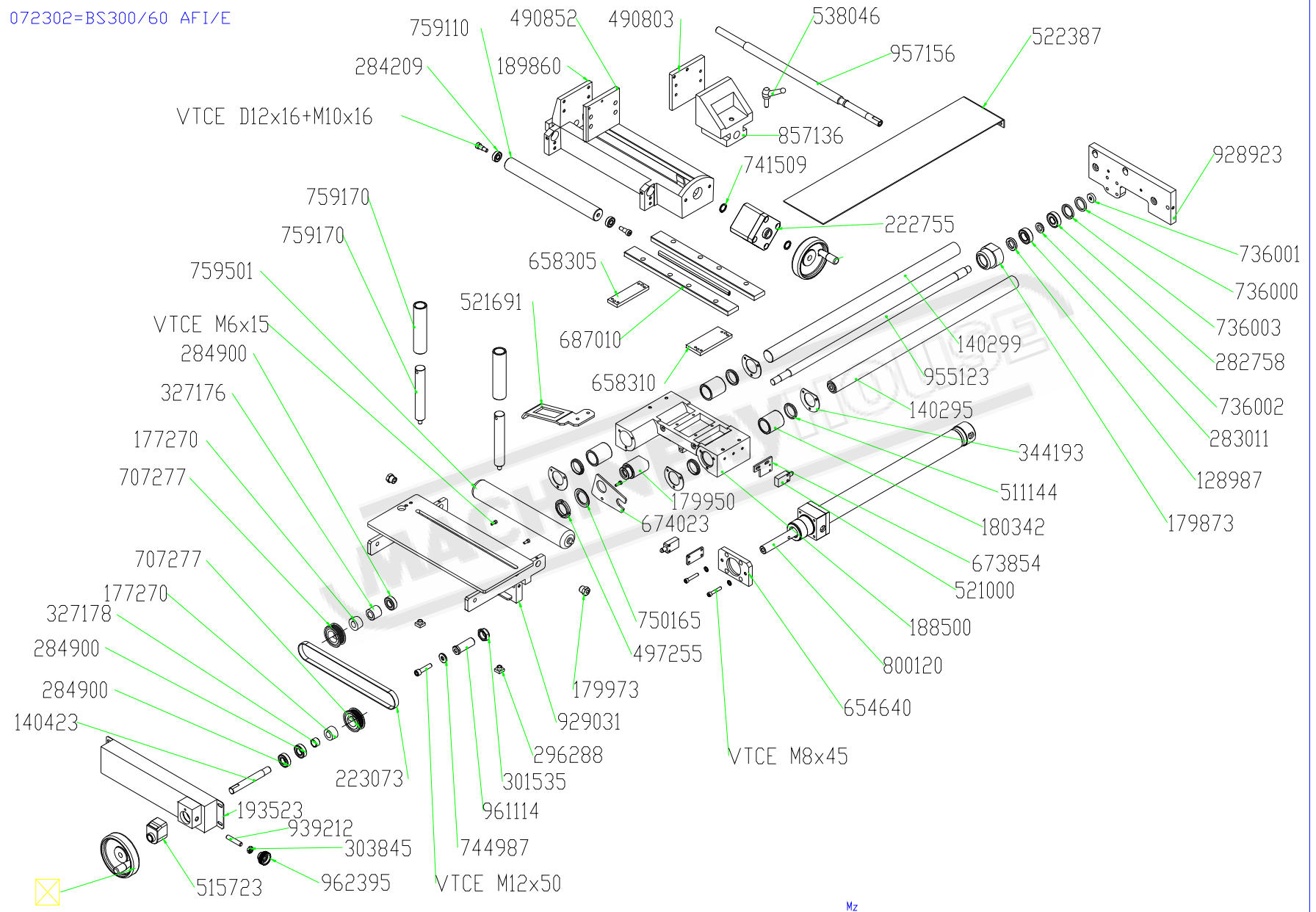


INSTRUCTIONS FOR USE

072302=BS300/60 AFI/E

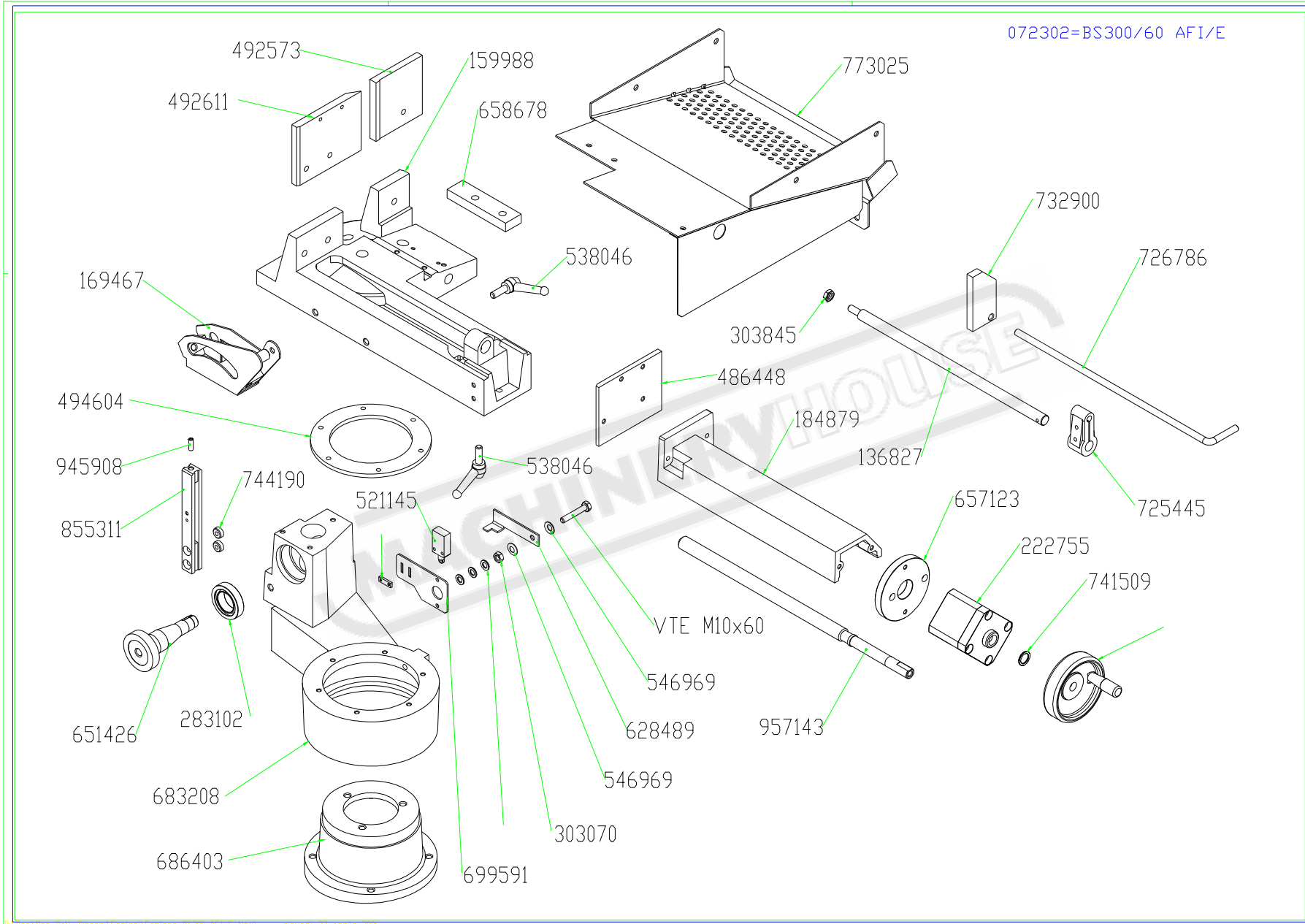


D:\Doc\Doc-Int\Disegni\Esplosi\Esplosio BS300 AFI-E New\ giovedì 27 aprile 2006

Mz

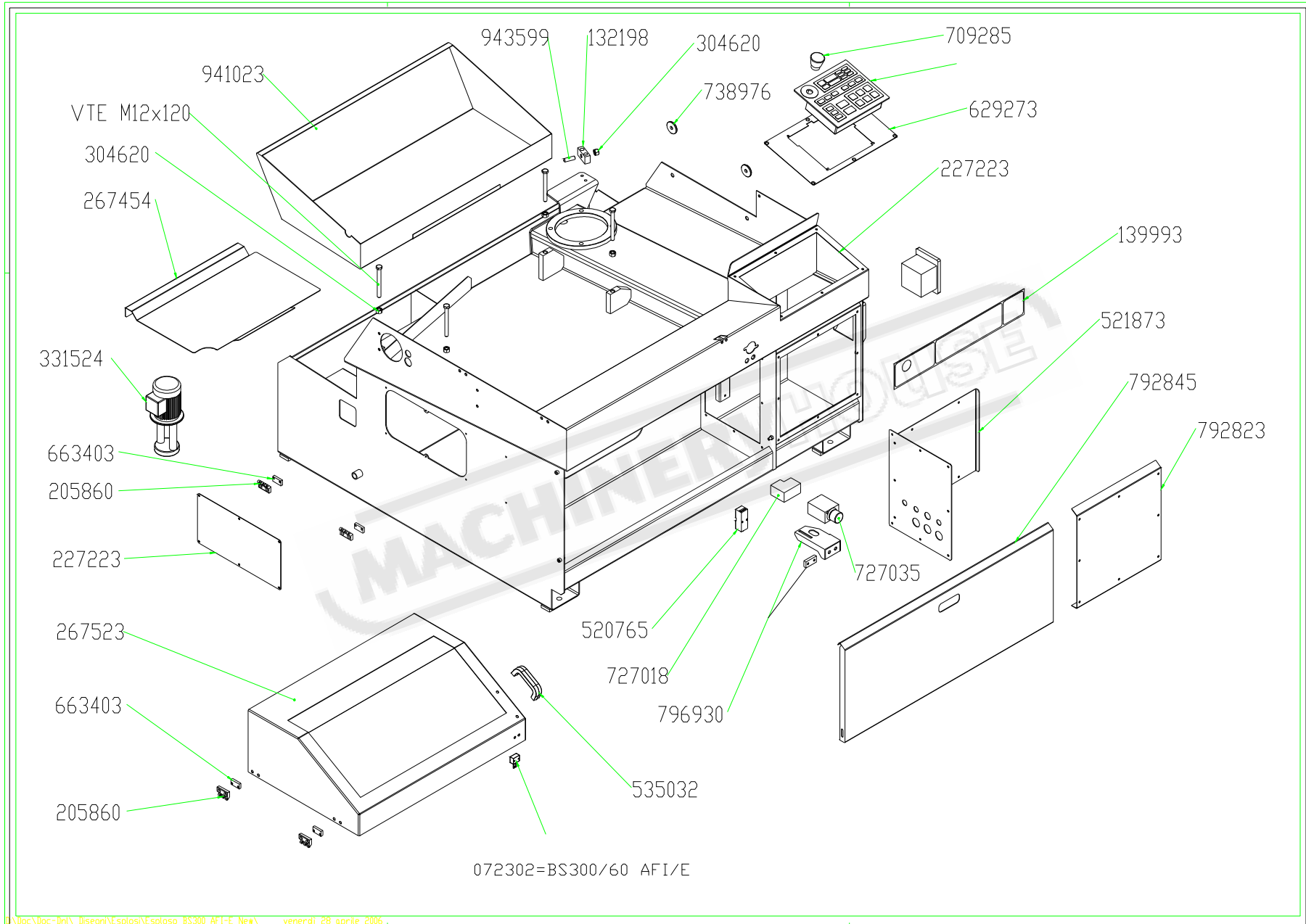
INSTRUCTIONS FOR USE

072302=BS300/60 AFI/E

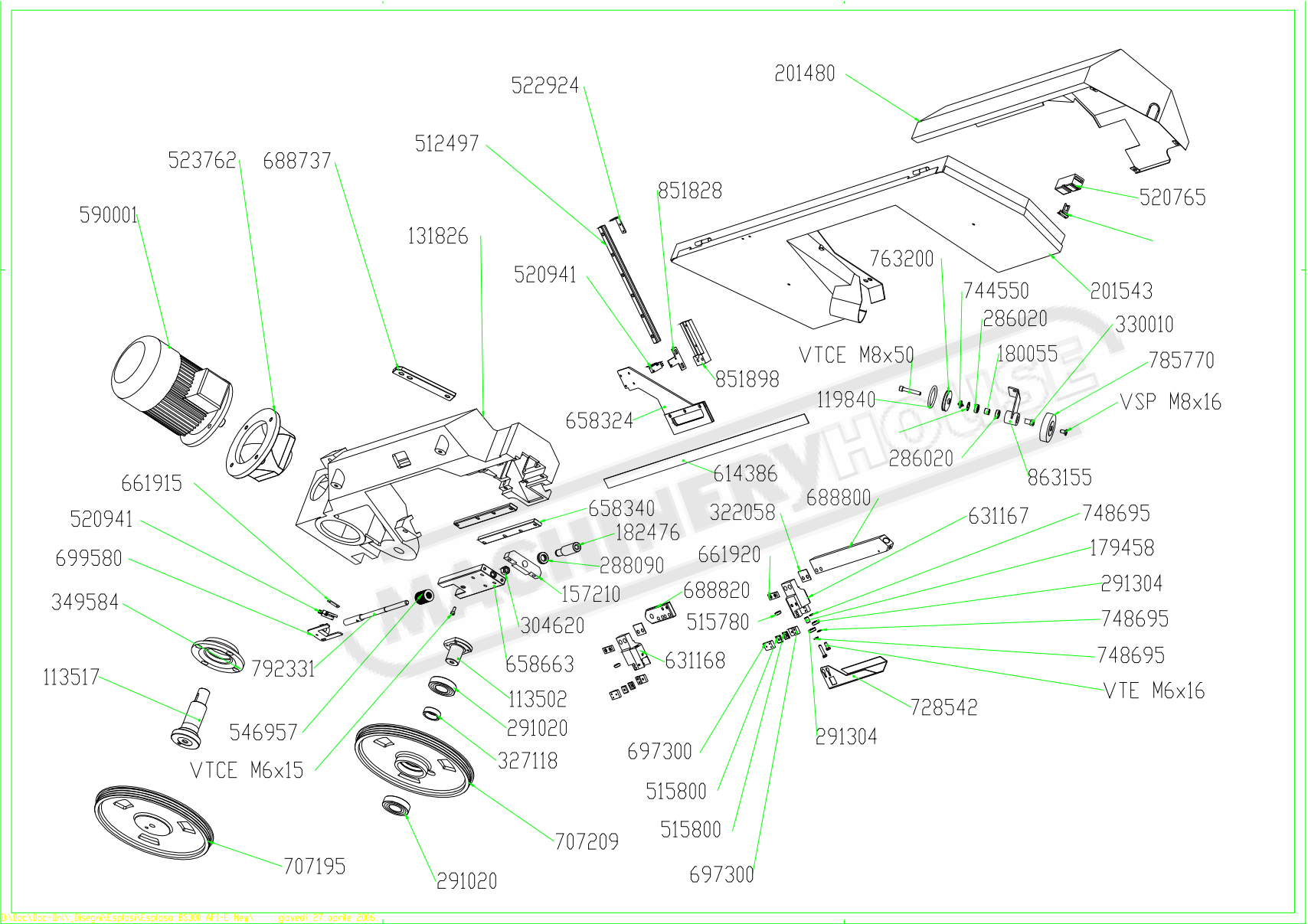


D:\Doc\Doc-brn\Disegn\Esposi\Esposi BS300 AFI-E New\ giovedì 27 aprile 2006

INSTRUCTIONS FOR USE



INSTRUCTIONS FOR USE



D:\Doc\Doc-brn\Disegn\Esposi\Esposi BS300 AFI-E New\ giovedì 27 aprile 2006

## INSTRUCTIONS FOR USE

COD.	ITALIANO	ENGLISH	FRANCOISE	DEUTSCH
072302	BS 300/60 AFI-E NEWAUT 2VEL.V. 400 SEGATR (SARA' BS 300/60)	BS 300/60 AFI-E 3PH.2SPEED	SCIE A RUBAN 2VI.BS300/60AFI-E	
113502	ALBERO X PULEGG.ANT.BS280 FRES ATO	BS 280 FRONT BAND WHEEL SHAFT		BS 280 VORDERSCHEIBE SAEGEARM
113517	ALBERO PULEGGIA POST.BS280	BS 280 BACK BAND WHEEL SHAFT		
118842	ANELLO ANTIESTR.BRS230 CIL.PN. KS450/600/	BACK-UP RING BRS230		
118932	ANELLO TENUTA OR 119 2,62X15,0 8	OR RING 2,62X15,08		
119395	ANELLO TENUTA OR 159 3,53X55,5 6	OR RING 3,53X55,56		
119576	ANELLO TENUTA OR3300 2,62X75,8 7	SEAL RING OR3300 2,62X75,87		
119603	ANELLO TENUTAOR4250 3,53X63,09	SEAL RING OR4250 3,53X63,09		
119621	ANELLO TENUTA OR 171 3,53X68,2 6	OR RING 3,5X68,26		
119840	ANELLO TENUTA OR 6187 5,34X47	OR RING 6400 3,34X47	BOUCLE OR 6187 5,34X47	DICHTRING OR 6187 5,34X47
127810	ANELLO SEEGER A17 RIGA RTD	SEEGER RING A17 RTD TABLE		
128030	ANELLO SEEGER J22 SPAZZ. BS350	SEEGER RING J22 / BS350 BRUSH		
128116	ANELLO SEEGER J72 PULEGGE FORO 72	SEEGER INNER RING J72	BOUCLE SEEGER J72 POULIES	SEEGER INNERER RING J72
128702	ANELLO TENUTA 25X35X7	SEAL RING 25X35X7		
128987	ANELLO TEN.PARAP.BASL25X40X7	SEAL RING BASL 25X40X7		
129107	ANELLO TEN.PARAP.BASL 55X70X8	SEAL RING 55X70X8 FOR COUPLING		
129736	ANELLO TENUTA 47X22X7	SEAL RING 47X22X7		
131828	ARCO-RIDUTTORE BS300 LAVORATO	FRAME REDUCER BS300		
132198	ARRESTO POSIZIONAM.BS280/60	MECHANICAL STROKE-END BS280/60		
132828	ASTA COM.DISC.ARCO 280 SHE/SHI -E/VELOX SHE/AF	FEED CONTROL LEVER BS280/VELOX		
134120	ASTA DISC.TESTA/REGISTRO MORSA D.20X400	FEED CONTROL/VICE STD LEVER	TIGE DE BUTEE	
136800	ASTA X RISCONTRO SCAR.280 AFI- E D.12	ROD FOR LENGTH STOP 280AFI D12		
139993	AUTOAD.DISC.ARCO BS300/60AFI-E (SU COLONNA)	STICKER SAW FRAME FEED 280AFIE		
139995	AUTOADES.DISC.ARCO BS300 AFI-E (SU COLONNA)MIS.628X107	STICKER DOWNFEED SP.280NEWAUT		
140295	BARRA CROM.40X788 AVANZAT.IMET LARGH.300/400 CON RETE PROTEZ	FEEDER CHROM.BAR 40X788		
140299	BARRA CROM.40X807 AVANZAT.BS35 0/60	40X807 CHROM. BAR BS35 FEEDER		
140423	BARRA TRAMISS.AVANZ.NEWAUT (NEW14)	TRANSMISS. ROD FEEDER NEWAUT		
153980	BLOCCHETTO GUIDA MORSA FILETT. BS280/60	VICE THREADED GUIDE		
154080	BLOCCHETTO GUIDA MORSA FORATO BS280/60	VICE HOLED GUIDE		
157210	BLOCCHETTO TENDINASTRO 280350 FRONTALE	BAND TENSIONER BLOCK 280350NEW		
159988	BLOCCO MORSA BS280 AFI-E (DERIVATA DA 280/60)	FIXED VICE ASSEMBLY BS280AFIE		
159990	BLOCCO MORSA BS280/60 MAN/SEMI AUT.	FIXED VICE ASSEMBLY BS280/60		
167248	BOCCOLA OTTONE D.20X30	BOW CYLINDER BRASSED		

## INSTRUCTIONS FOR USE

	CIL.ARC O 280S.AUT	WASHER		
169467	BRACCIO X CILINDRO ARCO 280AFI-E	BOW CYLINDER ARM BS 280AFI-E		
172190	BUSSOLA OTT.D8X15 BLOC.PIATTO PATTINO BS280	D8X15 PLATE BLOCKING BUSH		
177257	BUSSOLA CONIC.TAPERL 1108- 19 (PER PULEGGIA HTD TL38- 5M-15)	TAPER BUSH 1108-19		
177280	BUSSOLA D.16X25 PERNO OSC.BS280	OSCILLATING PIN BUSH D.16X25		
179458	BUSSOLA Distanz.D.6,5X10X14	SPACER D.6,5X10X14		
179873	BUSSOLA CUSC.VITE AVANZ.NEWAUT D.47X68	FEEDER BEARING SCREW BUSH		
179950	BUSSOLA FILET.TPN25 AVANZ NC PROGRAM E NEWAUT	FEEDER THREADED BUSH TPN25		
179965	BUSSOLA MOLLE/ARCO 280- GH BRUN	280-GH BUSH SPRINGS/BOW		
179973	BUSSOLA X REGISTR.RULLO NEWAUT (BS280-350)	BUNDLE		
180055	BUSSOLA Distanz.SPAZ.280/60 NC	-		-
180342	BUSSOLA A SFERE 0658-240-40 CO MPACT STAR 40X52X60	BALL BUSH 0658-240-40	2	
182476	BUSSOLA TENDINASTR.300350 NEWA UT	BAND STRETCHER BUSH		
182946	CAPICORD.OCCH.11039112=6,5 X6 GIALLO BM 00331			
184879	CARRELLO MORSA FISSA BS280/60	FIXED VICE CARRIAGE BS280/60		
188051	CARRELLO HIWIN HGW15CAZ0C X GU IDE SENZA PRECARICO	HIWIN HGW15CAZ0C CARRIAGE		-
188500	CARRO INFER.AVANZ.BS350/60LAVO RATO X NC	BS350/60		
189861	CARRO SUPER.AVANZ.AFI-E LAVOR. (MODELLI AFI-E)	FEEDER UPPER CARRIAGE AFI-E		
193523	CARTER CINGHIA TRASM.NEWAUT. (NEW07)	BELT GUARD FOR NEWAUT. BASE		
201543	CARTER NASTRO-2PEZ.- BS300AFINC SPAZZOLINO TRASCINATO PULEGGI	BAND GUARD-2 PIECES- BS300 NC		
205277	CENTRALIN.ARON 4 POS.COMPL+MOT MONTARE:BS280/350 AFI-E	COMPL.HYDRAULIC UNIT W/MOTOR		
205860	CERNIERA ART.401-30-M6 BOTECO PER XT410	ITEM 40-30-MT6 BOTECO HINGE		
214700	CHIAVETTA 6X6X20 UNI6604	KEY 6X6X20		
215123	CHIAVETTA 8X7X15 UNI6604	KEY 8X7X15 UNI6604		
216270	CHIAVETTA 8X7X25 UNI6604	KEY 8X7X25 UNI6604	TL CLAVETTE ENTR.BAGUE	
222755	CILINDRO MORSA KS450/600 80X10	VICE HYDR. CYLINDER KS450		SCHRAUBSTOCK HYDR.ZYLINDER 450
222830	CILINDRO IDRAUL.ARCO 350 TIPO 50X140 AVVITATO	CYLINDER SHI D.50		
227223	COLONNA NEWAUT.BS300/60 AFI-E (NEW01)	BASE FOR NEWAUT.		GRUNDLAGE NEWAUT
260163	CONNETTORE 4VIE+LED=S18209TC42 1 DIN43650A TRASPARENTE	4WAYS+LED CONNECTOR		4WEGE+LED VERBINDER
267454	COPERCHIO VASC.REFR.BS300 NEWA UT AFI-E	-		
267523	COPRIAVANZATORE BS300 NEWAUT	FEEDER COVER NEWAUT 280		
268253	COPRIFINCORSA ANT.NASTRO BS280	BAND STROKE-END COVER BS280		
276674	CORONA BRONZ. M2,75 Z35 BS280	BRONZE WHEEL M2,75 Z35 BS280		

## INSTRUCTIONS FOR USE

282758	CUSCINETTO 30204A 20X47X14	BEARING 30204A 20X47X14		
283011	CUSCINETTO 32005X 25X47X15	BEARING 32005X 25X47X15		
283102	CUSCINETTO 32008XA 40X68X19	CARRIAGE CONNECT.32008X4 40X68		
284209	CUSCINETTO 6201.2ZR 12X32X10	BEARING 6201.2ZR 12X32X10		LAGER 6201 2ZR 12X32X10
284900	CUSCINETTO 6004.2RSR 20X42X12	CARRIAGE CONN. 6004EE 20X42X12	ROULEMENT 6004.2RSR 20X42X12	
286020	CUSCINETTO 608.2ZR 8X22X7	BRUSH/PUMP CARRIAGE CONNECTION	ROULEMENT 608.2ZR 8X22X7	
286302	CUSCINETT.30305DJR 25X62X17/13 =310305A	BEARING 31305A 25X62X17/13		
286795	CUSCINETTO 30305DR 25X62X15/13 = 30305A	CARRIAGE CONNECTION 25X62X15	ROULEMENT 30305A 25X62X15/13	
288090	CUSCINETTO ASS.51103 17X30X9	BEARING 51103 ..X..X.		
288725	CUSCINETTO 6206 30X62X16	CARRIAGE CONNECTION 6206 30X62	ROULEMENT 6206 30X62X16	
288995	CUSCINETTO 6209 45X85X19	CARRIAGE CONNECTION 6209 45X85		
291020	CUSCINETTO 6207.2RSR 35X72X17	CARRIAGE CONNECTION 6207 35X72		LAGER 6207EE 35X72X17
291304	CUSCINETTO 626.2ZR 6X19X6 PATTINI 280/300	BEARING 626.2ZR 6X19X6		
294002	DADO ES.M4 BASS AUTOBL.DIN985	HEXAGONAL NUT M4 DIN 980		SECHSKANTIGE MUTTER M4 DIN 980
294189	DADO ES.M8 BASS AUTOBL.DIN985	ES M8 DIN980 NUT		
296183	DADO M12 CAVE T CL.10 UNI5531 DIN508	NUT M12 FOR KEY T UNI5531		
300745	DADO ES.M8 RIBASSATO BRUNITO	HEXAGONAL NUT M8		
303070	DADO ES.M10 UNI5588 6.S BRUN.M	HEXAGONAL NUT M10 UNI5588 6.S		SECHSKANTIGE MUTTER M10 6.S
303845	DADO ES.M12 UNI5588 6.S BRUN.M EDIO	HEXAGONAL NUT M12 UNI5588 6.S		
304620	DADO ES.M12 UNI5589 6.S BRUN.B ASSO	HEXAGONAL NUT M12 UNI5589 6.S		SECHSKANTIGE MUTTER M12 6.S
305080	DADO ES.M14 ALTO UNI5587	HEXAGONAL NUT M14		
306120	DADO ES.M16X1,5 UNI5589 6.S	HEXAGONAL NUT M16X1,5 UNI5589		
306500	DADO ES.M6 UNI5588 6.S BRUNITO	HEXAGONAL NUT UNI 5588 6.S	ECROU M6 UNI5588 6.S	SECHSKANTIGE MUTTER M6 UNI5588
307720	DADO ES.M8 UNI5588 6.S BRUNITO	HEXAGONAL NUT M8 UNI5588 6.S	ETAU ECROU POUR RENFORT	SECHSKANTIGE MUTTER M8 6.S
315285	DISCO REGISTR.VSF BS280	SCREW ADJUSTING DISC BS280		
322160	DISTANZIALE CORONA BS280	WHEEL SPACER BS280		
325859	DISTANZIALE GIUNTO/MOT.BS280	MOTOR COUPLING SPACER BS280		
327118	DISTANZIALE PUL.D.35X42 BS280	PULLEY SPACER D.35X42 BS280		SCHEIBE DISTANZSTUECK D35X42
327176	DISTANZIALE PULG.AVANZ.NEWAUT (NEW22)	NEWAUT PULLEY SPACER 30X20X41		
327178	DISTANZIALE TRASM.AVANZ.NEWAUT (NEW21)	NEWAUT TRANSM.SPACER 30X20X17		
330010	ESAGONO ATT.SPAZ.D100 BS350	HEXAGONAL BRUSH CONNECTION	HEXAGONAL POUR BROSE D100	SECHSKANTIGER BUERSTEANSCHLUSS
331524	EL.POMPA LUNGA AST60 PIEDE=150 230400V 1/2"- W120=PMU60LP170	LONG ELECTRIC PUMP 230400	POMPE 331524	
331925	FASCETTA TUBO TORRO S 12- 22/9 C7 W1	HOSE CLAMP W2 12-20		SCHLAUCHSCHELLE W2 12-20
349584	FLANGIA CHIUS.RIDUTT.BS280	REDUCTION CLOSING FLANGE BS280		
486448	GANASCIA CARR.MORSA BS300/60 130X10X161	VICE CARRIAGE JAW 130X15X172		

## INSTRUCTIONS FOR USE

	UNIOFICATA			
490803	GANASCIA CHIUS.AVANZ.BS280AFIE	FEEDER CLOSING JAW BS280AFIE		
490852	GANASCIA APP.X AVANZ.BS280AFI- E	FEEDER SUPPORT JAW BS280AFI		
492568	GANASCIA APPOGGIO DX BS300/60 130X15X113 UNIFICATA	RIGHT VICE SUPPORT JAW BS280/6		
492611	GANASCIA APPOGGIO SX BS300/60 130X15X162 UNIFICATA	LEFT SUPPORT JAW BS280AFI- E		
494604	GHIERA INTERNA PIATTAFORMA BS2 80/60	PLATFORM INTERNAL LOCKRING BS2		
497110	GHIERA KM5 M25X1,5 PERNO OSC.B S280	RING KM5 M25X1,5		
497255	GHIERA KM8 M40X1,5 SIRIO 300	RING KM8 M40X1,5 BS340PR		
500316	GIUNTO M24JUNIOR D.19X24 BS280	COUPLING D.19X24 BS 280		
510200	GUARNIZIONE EL.POMPA D.130X102 X2 GOMMA ANTIOLIO	ELECTROPUMP SEAL D.130X102		
511144	GUARNIZIONE PARAP.AS40-50- 5-8	ANTIDUST GASKET AS40-50-5- 8		
511163	GUARNIZIONE RS3240 CIL. IDR.KS	PISTON SEAL RS3240		
511290	GUARNIZ.IDROSTOP DBM196133/M BS350/280 D50XD34X20.5	SAW FR.CYL.GASKET MDB2X400501		
511300	GUARNIZIONE LANTERNA BS280 120 X80	GASKET BS 280		
511330	GUARNIZIONE FLANGIA BS280 D.14 5X110	FLANGE GASKET BS 280 D.14		
512497	GUIDA HIWIN HGR15R340C BS300 (FORO 20MM!) TASTATORE280/300	GUIDE HIWIN LGR15R340C 20/20		
513095	IMPUGNATURA NERA 20X80 PLAST. X ASTA	PLASTIC BLACK HANDLE D.20X80		
515723	INDICATORE DIG.MIL.PAS5 GRIGIO DD52AN0005.0- D/ELESA=CE.08625	POSITION INDICATOR MM5 PITCH		
515753	INGRASSATORE M8 CH10 SFERA+MOL LA L1	OILER M8 CH10		
515780	INSERTO SPECIALE D15.95X6.4 BS350	SPECIAL INSERT D15,95X6,4	PLAQUETTE SPECIALE D15,95X6,4	
515800	INSERTO QUADRO SVAS.19,3X4 F.4 WXP0274=GATTIA191DB10.OD C4.2G	SQUARE CARBURE PAD 19,3X4 F.4	PLAQUETTE CARBURE 19,3X4 F.4	VIERECKIGER EINSATZ 19.3X4 F.4
520765	INTER.SICUR.FK3393-D1 CHIAV.90 °PIZZATO	SAFETY SWITCH FK3393-D1		
520941	FINCORSA LEVA ABV121260 NAIS= OMRON D2VW5L1B1M- BS-230	STROKE-END ABV161660		
521000	INTER.FINCORS=TELEMEC.XC MA1032 CAVO 2M,RUOTA 90°E700-0-BM/90	STROKE END SWITCH TELEMEC.	FIN DE COURSE	
521145	INTER.FINCORS=TELEMEC.XC MA1023 CAVO 3M,RUOTA DIR.E700-0-BM/3	STROKE END SWITCH TELEMEC.	FIN DE COURSE	ENDSCHALTER TELEMEC. XCMA1023
521580	LACCIO LEGRAND 320-32 2,4X180	LEGRAND PLASTIC STRING		
521585	BASE A INCASTRO 320.76 X LACCI LEGRAND	SUPPORT FOR STINGS 320.76		
521691	LAMIERA X CAVI AVANZ.BS300AFIE NEWAUT	SHEET HOLDER FEEDER NEWAUT.		
521718	LAMIERA FC CARRO AVANZ NEWAUT. (NEW16)	NEWAUT. STROKE-END HOLDER		
521873	LAMIERA COM.EL.NEWAUT. (NEW10)	EL.CONTROL SHEET METAL NEWAUT.		
521951	LAMIERA X	COOLANT DISTR.SHEET		

## INSTRUCTIONS FOR USE

	DISTRIB.REFRIG.BS280 SU ARCO	METAL 280		
522387	LAMIERA COPRI VITE AV.NEWAUT	-		
522924	LAMIERA "L" FERMO TASTATORE	-		
522941	LAMIERA TASTATORE BS300	-		
523762	LANTERNA MOTORE BS280 FINITA	MOTOR/BOW STRAINER BS280		
535032	MANIGLIA "U" NERA ART.1102BOM8 =M243/140	BLACK HANDLE 1102BOM8		
536585	MANIGLIA RIPRES.M12 FEMM.TIP80	TURNING HANDLE M12 TYPE 80	POIGNEE M12 TIP80	
536675	MANIGLIA RIPRESA M12X45 TIP.80 MASCHIO	TURNING HANDLE M12X45 TYPE 80	POIGNEE M 12X45	DREHEBARER HANDGRIFF M12X45 80
544666	MOLLA COMPENSAZ.CUSC.D.62 MOT	SPRING WASHER DIA. 62		
546938	MOLLA TAZZA 40X20,4X2,5 MANDRI NO/PULEGG.	SPINDLE CUP SPRING 40X20,4X2,5	RESSORT 40X20,4X2,5	SPINDEL FEDERRING 40X20,4X2,5
546957	MOLLA TAZZA 31,5X16,3X2 TENDIN AST.BS280	CUP SPRING 31,5X16,3X2	RESSORT 31,5X16,3X2	TELLERFEDER 31,5X16,3X2
546969	MOLLA TAZZA 25X12,2X1,5	CUP SPRING 25X12,2X1,5		TELLERFEDER 25X12,2X1,5
547652	MOLLA PER ARCO BS230-280-350-3 40	SAW FRAME RETURN SPRING 340280	RESSORT RAPPEL ARCHET BS340-BS	RAHMEN RUECKFEDER BS340-BS280
590050	MOT.3F 2/4P FC90TP B5 V400 280 CE*1,7/1,3*B5 *SENZA CHIAVETT	3PH MOTOR 2-4P FC90 V400 B5		
614397-6/10	NASTRO"280"2765X27X09 M42SVGLB (STB)DENTATURA =6/10 HV950	BAND 2765X27X09 SVGLB M42 6/10	RUBAN "280" 2765X27X09 M42	
616170	NIPPLO N4-4 1/4"A1/4" OTTONE	BRASS THREADED CONNECTION M4-4		MESSING NIPPEL M4-4 1/4"
616230	NIPPLO OLIO 1/4"X3/8"BSP RACC PER TUBO R6(CON FEMMINA 3/8")	OIL THREADED CONNECTION 1/4	616517	OEL NIPPEL 1/4" X 3/8"
628489	PALETTA ARCOGIU FINE TAGLIO (MACCHINE CON TASTATORE)	STROKE-END PLATE BOW DOWN		
629273	PANNELLO FRONT.COM.NEWAUT/TRON	FRONT PANEL FOR NEWAUT/TRON		
630632	PASSACAVO A MEMBRANA DG9 D.15	DIAPHRAGM CABLE GLAND DG9		
630975	PASSACAVO SCATTO SB1750-22 NER O 145051	CABLE GLAND SB1750-22		
631163	PATTINO ANTER.COMPLETO BS280 N EW	FRONT BAND GUIDE BS280		VORD.BANDFUEHRUNGSSCHUH K.BS280
631165	PATTINO POST.COMPLETO BS280 NE W	LOWER BAND GUIDE BS280		HINTERER BANDFUEHRUNGSSCHUH 280
631167	PATTINO GUIDALAM.ANT.BS280 LAV ORATO	FRONT BAND GUIDE BS280		VORDERER BANDFUEHRUNGSSCHUH
631168	PATTINO GUIDALAM.POST.BS280 LA VORATO	BACK BAND GUIDE BS280		HINTERER BANDFUEHRUNGSSCHUH
632788	PASTIGLIA D.10 OTTONE	BRASS. SPACER D.10		MESSING DISTANZSTUECK D.10
651426	PERNO OSCILLANTE BS280 x POTEN ZIOMETRO	OSCILLATING PIN FOR BS 280		
654640	PIASTRA ATT.CIL.AVANZ.NEWAUT. (NEW17)	NEWAUT.FEEDER CYL. PLATE		
657123	PIASTRA FRONT.MORSA IDR.NEWAUT (NEW20)	VICE CYLIND. PLATE FOR NEWAUT.		
658305	PIASTRINA SLITTA MOBILE AVANZA TORE	FEEDER MOVING PLATE		
658310	PIASTRINA SLITTA MOBILE AFI-E	MOVING SLIDE PLATE AFI-E		
658324	PIASTRA TASTATORE BS300	APPROACHING PLATE BS280		BANDSPANNERFUEHRUNGSP L ATTE
658340	PIASTRA	BAND TENSIONING GUIDE		BANDSPANNERFUEHRUNGSP L

## INSTRUCTIONS FOR USE

	GUIDATENDINASTR.300350 FRONTALE	PLATE BS		ATTE
658663	PIASTRA TENDINASTRO ANT.80X20 BS280	FRONT BAND TENS.PLATE 80X20		VORDERE BANDSPANN.PLATTE 80X20
658678	PIASTRINA APP.PEZZO MORSA 280A FI-E	VICE PIECE SUPPORT PLATE 280A		
661900	PIASTRINA X FINC.PATT.INF.VTF NUOVO	PLATE FOR LOWER BANDGUIDE VTF		
661915	PIASTRINA FINC.NASTRO NEW 2XM3 10X2X35 BRUNITA	PLATE FOR BANDSTRETCHER 2XM3		
661920	PIASTR.BLOCC.SPAZZOLINO PLUS60 (BS280 PLUS 60 GRADI)	BRUSH LOCKING PLATE BS280/60PL		
673854	PIASTRINA FINCORS.CARRO BS280 NEW-AUT.	BANDGUIDE STROKE-END PLATE		
673860	PIASTRINA FINCORS.PATT.SUP.VTF 500 (LAMIERA)	BANDGUIDE STROKE-END PLATE		
674023	PIASTRINA RISC. AVANZ.NEWAUT. (NEW13)	FEEDER STOP PLATE FOR NEWAUT		
687010	PIATTO SLITTA MOBILE 45X443X15 AVANZAT.IMET (2 PEZ. X CODICE	MOVING SLIDE PLATE 45X443X15		
688448	PIATTO ATTACC.MOLLE BS280 BRUN	SPRINGS CONNECTION PLATE BS280		
688737	PIATTO 40X10X173 CIL/FRENO BS2 80	CYLINDER/BRAKE PLATE 40X10X173		
688802	PIATTO GUID.ANT.SCOR. 280 NEW	NEW SLID. BAND GUIDE PLATE 280		
688820	PIATTO GUID.POST.FISSO 280 NEW	280 NEW FIX. BACK GUIDE PLATE		
695115	PORTAGOMMA PG8-4 D.8 INT.X1/4" DIRITTO	RUBB.HOSE CONNECTOR PG8- 4 D.8		SCHLAUCHANSCHLUSS D.8 PG8-4
696080	PORTAGOMMA NYLON GES6 R1/8	NYLON RUBB.HOSE CONNECTOR GES6		
696346	PORTAGOMMA NYLON WES8 R1/2 GOM ITO	NYLON PUSH-ON CONNECTOR R1/2		NYLON ANSCHLUSS R1/2 KNIE
697300	PORTA PLACCHETTE PATTINO BS350	PAD SUPPORT FOR BAND GUIDE 350		EINSATZLAGER FUER BANDFUEHRUNG
699580	PORTA FINCORS/MOLLE NASTRO 280 350 FRONTALE	BAND FRONT STROKE-END HOLDER		BAND VORD. ENDSCHALTER TRAGER
699591	PORTA FINCORS.ARCO FINE TAGLIO (MACCHINE CON TASTATORE)	STROKE-END HOLDER NEWAUT		ENDSCHALTER TRAGER NEWAUT
707195	PULEGGIA D.320X14 POST.BS280	BACK PULLEY D.320X14 BS280		
707209	PULEGGIA D.320X72 ANT.BS280	FRONT PULLEY D.320X72 BS280		
707313	PULEGG. HTD TL 38-5M-15F CHIAR AVALLI X NEWAUT300350			
714785	QUADRO DERIV.REFR.ARCO 280AFIE	COOLANT JUNCTION BOX BS280AFIE		
716145	RACCORDO GOMITO G- 4MF=5020A1/4	ELBOW CONNECTION G- AMF=5020A1		KNIEVERBINDUNG G- AMF=5020A1
716823	RACC.OLIO DIR.D.6 1/4"CIL=E211 -106S	OIL CONNECTION D.6 1/4"		
716834	RACC.OLIO DIR.D.8 1/4"CIL.E211 -108L	OIL CONNECTION D.8 1/4"CILE211		OELLEITUNG D.8 1/4" CILE 211
719061	RACC.OLIO GIR.D.8 1/4"CIL.E321 -108L=TN131	OIL CONNECTION D.8 1/4"CILE321		
719073	RACC.OLIO DIR.D.6 1/8"CON.	OIL CONNECTION D.6 1/8"		
719108	RACC.OLIO GOM.BSP F91-110 3/8- 3/8 (BS350 AFI-E)	OIL CONNECTION 3/8" F91-110		
722345	RACCORDO T-4FFM-L=4050 DA 1/4"	CONNECTION T-4FFM-L=4050 1/4"	2	T-VERBINDUNG 4FFM-L 1/4"
725445	REGISTRO MISURA ALLUM.+2VITI FORI D.20/12	ALUMINIUM LENGTH STOP DEVICE	SUPPORT DIA 20	ALUMESSANSCHLAG + 2 SCHRAUBEN
727044	REGOLAT.IDR.ARON TIPO 2 COMPL. ALL.USO:BS280/350 SHIE+AFIE+N	CMP.UNIT SPEED REGULATOR ARON		

## INSTRUCTIONS FOR USE

727785	RIDUZ.OLIO 1/4"M-1/4"F	REDUCTION 1/4"M 1/4"F		REDUKTION 1/4"M 1/4"F
728542	RIPARO ANTER.NASTRO BS280 NEW	FRONT SAW BAND COVER BS280 NEW		
728560	RIPARO NAST.POST.280/60 NEW PA TTINO	BACK BLADE NEW COVER,280 NEW		
728563	RIPARO NASTRO POS.BS280/60 NEW	BACK BAND COVER BS280/60 NEW		
732900	RISCONTRO REGISTRO SCAR.PEZZI BS280 AFI-E	WORKPIECE OUTLET ADJUSTAB.STOP		
734694	RONDELLA RAME 1/4	COPPER WASHER 1/4		
734698	RONDELLA RAME 1/8	COPPER WASHER 1/8		
734745	RONDELLA ALLUMINIO 1-4	ALUMINIUM WASHER 1-4		ALU DICHRING 1-4
735602	RONDELLA APPOGGIO SS22X32X2 DIN 988 HRC45	SUPPORT WASHER SS22X32X2		AUFLAGE-FEDERRING SS22X32X2
735755	RONDELLA APPOGGIO SS30X42X2,5 DIN 988 HRC45	WASHER SS30X42X2,5		
736000	RONDELLA POLIURET.ARANCIO D.47 VITE AVANZ.NC	WASHER D.47 BS340PR		
737845	RONDELLA 35X12X6 SVASAT.BRUNIT	WASHER 35X12X6		
741509	RONDELLA APPOGGIO SS20X28X2 DIN 988 HRC45	SUPPORT WASHER SS20X28X2	RONDELLE VOLANT SS20X28X2	DICHRING SS20X28X2
741725	RONDELLA 35X9X5 SPIANAT.BRUN. VKS300/280	WASHER 35X9X5		
742100	RONDELLA 35X8X5 BRUNITA	BURNISHED WASHER 35X8X5		SPEZIALUNTERLEGSCHIEBE 38X8X5
742282	RONDELLA 40X30X10,5 SVASATA (GREZZO =AVP D.40 BARRA)	WASHER 40X30X10,5		
742333	RONDELLA 45X35X10,5 SVASATA	WASHER 45X35X10,5	RONDELLE 45X35X10,5	FEDERRING 45X35X10,5
742431	RONDELLA 35X10X6 BRUNITA	BURNISHED WASHER 35X10X6		
744045	RONDELLA SPECIALE D.20X5 BRUN.	SPECIAL BURNISHED WASHER 20X5	RONDELLE D.20X5	SPEZIALUNTERLEGSCHIEBE D.20X5
744500	RONDELLA APPOGGIO SS9X15X1,2 DIN988 HRC45E CILINDRI PN/IDR.	SUPPORT WASHER SS9X15X1,2		DICHRING SS9X15X1,2 DIN988
744550	RONDELLA APPOGGIO SS13X19X1,5 DIN988 HRC45 AVANZAT.280AFIE	SUPPORT WASHER SS13X19X1,5		AUFLAGE FEDERRING SS13X19X1,5
744611	RONDELLA STAMPATA 5X15X1,2	PRINTED WASHER 5X15X1,2		
744715	RONDELLA STAMPATA 6X18X2	PRINTED WASHER 6X18X2		GEDRUECKTER FEDERRING 6X18X2
744820	RONDELLA STAMPATA 8X24X2	PRINTED WASHER 8X24X2		
744987	RONDELLA STAMP.12X30X4 BRUNITA	PRINTED WASHER 12X30X4		GEDRUCKTER FEDERRING 12X30X4
744998	RONDELLA STAMPATA 14X35X3	PRINTED WASHER 16X40X3,5		
755801	RUBINETTO ART.6310 1/8"MF (DISTR.REFRIG.280 AFIE)	COCK 6310 1/8"MF		HAHN 6310 1/8"MF
755888	RUBINETTO SFERA ART.400 1/4"FF FEM/FEM (ART.6300 -1/4- FFAGNE	COCK ART.400 1/4" FEM/FEM.		
759110	RULLO D.40X383 AVANZATORI AFI	FEEDER SLIDE ROLLER AFI-E		
759170	RULLO AP.VERT.40x168+30xM12X20 NEWAUT	VERT.ROLLER FEEDER NEWAUT		
759501	RULLO GL/10 60Z C400 D10 S1,5 MOLLA ACC.ZINC.(RULLIERE W40)	ROLLER GL/10 60HZ C400 D10S1,5	2	ROLLER GL/10 60HZ C400 D10S1,5
763200	RUOTA TRASCINAM.SPAZZOL.BS350	BRUSH DRIVE WHEEL FOR BS 350		BUERSTE FUEHRUNGSRAD FUER BS35
773023	SCIVOLO SCARIC.COL.NEWAUT.280 (NEW08)	NEWAUT.BASE UNLOADED SHUTE 280		

## INSTRUCTIONS FOR USE

780850	SNODO UNIBALL SMG10 M10 MASCHI O	UNIBALL JOINT SMG10 M10		UNIBALL GELENK SMG10 M10 ZAPFE
785768	SPAZZOLA NYLON D.75x20	NYLON BRUSH D.75X20	BROSSE NYLON D.75X20	NYLON BUERSTE D.75X20
786162	SPIA OLIO HE45 PERFECT- RECORD- 280 COD.12001	OIL SIGHT GLASS HE45 PERF/REC	PERFECT-RECORD BOUCH. NIVEAU	OELSCHAUGLAS HE45 PERF/REC
792331	SPINA TENDINASTRO BS300350 M12 D.16X290	BAND TENSIONING ROD 280350 NEW		VORDERER BANDSPANNER STIFT
792823	SPORTELLO FISSO DX.COL.BS300 A FI-E NEWAUT	FRONT FIX DOOR FOR BASE NEWAUT		
792845	SPORTELLO MOBILE COLON. NEWAUT (NEW03)	FRONT MOB.DOOR FOR BASE NEWAUT		
796930	SQUADRETTA PORTA REGOLATORE VE LOCITA'	REGULATOR SUPPORT PLATE		REGLER AUFLAGEPLATTE
798940	STAFFA BLOC.GUIDALAM BS280 NEW	BS280NEW BLOCK.BRACKETS.BLAD.G		
851828	SUPPORTO GRUPPO TASTAT.BS300	-		-
851898	SUPPORTO GUIDA TASTATORE BS300			
855311	SUPPORTO X COPRIAV.BS280 AFI-E	FEEDER COVER SUPPORT BS280AFIE		
857136	SUPP/CHIOCC.AVANZ.LAVORA T.AFIE	FEEDER LEADNUT SUPPORT AFIE		
863155	SUPPORTO SPAZ.SALDATO 300/60NC	-		-
864381	TAPPO+DADO FIL.PG29 NYLON	PLUG+NUT PG29 NYLON		
864623	TAPPO OLIO+GUARN.1/2"CIL.=E336 FOSFATATO NERO	OIL TANK PLUG AND GASKET 1/2"		VERSCHLUSSTOPFEN 1/2"
864724	TAPPO OLIO+GUARN.1/4"CIL.=	OIL PLUG+GASKET 1/4"		
865362	TAPPO+ASTINA ALS 2-18	PLUG+BAR ALS 2-18		
910710	TARGHETTA GRAD.MORSA BS280/60 (O°60°)	VICE GRADUATED PLATE BS280/60		
918687	TASTIERA CONTR.TRON R20 10+10/ DAC CEB AU	EL. KEYBOARD TRON 10+10		
928923	TESTATA ANT.AVANZ.BS300NEWAUT	FEEDER FRONT HEAD NEWAUT.		
929031	TESTATA POST.AVANZ.NEWAUT.AFNC (SAW2++)	FEEDER REAR HEAD NEWAUT. NC		
929290	TIRANTE M10X95 CENTR.IDR.AFI-E	TIE ROD M10X95 AFIE		
929312	TIRANTE M12X62 OTTONE BS230	TIE RODS M12X62		
929342	TIRANTE M12X115 MORSA 280AFI-E	TIE ROD M12X115 FOR VICE 280AF		
933571	TUBO R6 3/8" 4500+FEMM.REC.3/8 " 350 AFI-E	TUBE R6 3/8"		
933572	TUBO R6 3/8" 3450+FEMM.REC.3/8 " 280 AFI-E	TUBE R6 3/8" 3450		
933625	TUBO R6 3/8" 1500+FEMM.REC.3/8	TUBE R6 3/8" 1500		
933633	TUBO R6 3/8" 1200+FEMM.REC.3/8 " 280SHIE	TUBE R6 3/8" 1200		
935500	TUBO RETINATO 8X14 ARIANNA	PLASTIC TUBE 8X14 ARIANNA		SCHLAUCH 8X14 ARIANNA
936245	TUBETTO GEMMA 8X12 = 80 GR/MT.	COOLANT HOSE 8X12		
936359	TUBETTO GEMMA 6X9 = 45 GR/MT.	TUBE 6X9		
936865	TUBO R7 1/4"4300+CODOL.d8:2DIR ITTI KS450	TUBE R7 1/4" 4300		
937711	TUBO R7 3/16"1330+CODOL.d6:1DI R/1- 90°340	TUBE R7 3/16" 1330		
941023	VASCA RACC.TRUCIOLI NEWAUT.300 AFI-E (NEW04)	CHIPS CONTAINER NEWAUT. BASE		
955123	VITE TPN25	FEEDER POSIT.SCREW		

## INSTRUCTIONS FOR USE

	POSIZ.AVANZ.NEWAUT (NEW12)	NEWAUT		
956843	VITE TE M14X30 SIN.SVASATA	LEFT SCREW TE M14X30	VIS GAUCHE TE M14X30	
957143	VITE MORSA BS300/60 AFI-E NEWA UT	VICE SCREW FOR BS 280 NEWAUT		SCHRAUBSTOCK SCHRAUBE NEWAUT
957156	VITE CHIUS.PINZA AVANZ.NEWAUT BS300/350 AFI-E-NC	FEEDER VICE CLOSIN.SCREW AFINC		VORSCHUBSCHRAUBSTOCK SCHRAUBE
958928	VITE SENZA FINE BS280	ENDLESS SCREW BS280		SCHNECKE BS 280
961114	VITE REGOLAZIONE M24X2 XT410	XT410 M24X2 REG. SCREW		-
962390	VOLANTINO ART.751-32-M8X30 BS280	WHEEL 750-32-M8 BS280		
962395	VOLANTINO ART.765-...-M12 BS230	WHEEL 765-...-M12		
964234	VOLANTINO 19912520H7PFT-O IMET FINITO (PRECED.GE0016A6)	WHEEL 19912520H7PFT-O		HANDRAD 19912520H7PFT-0
T22930	CILINDRO AVANZ.AFI-NC PREMONTA TO	FEEDER CYLINDER AFI-NC		

## FAST INSTRUCTION FOR USE OUR AUTOMATIC MACHINE

**1- If the machine has not been installed yet, pls. read the 2 pages here attached** (63LD in the instruction manual).

In order to check that the electrical supply has been connected, push buttons 16 or 17:

if the cutting unit moves up or down everything is OK; if nothing moves, disconnect and reverse two of the wire in the plug.

(NOTE: if the emergency button is pressed, nothing moves and the display shows "Er0020")

**2 - This is a semiautomatic & automatic machine;**

§ use keys 16 / 17 to move upwards the blade 10 mm about over the piece to be cut,

§ " " 16 / 17 to move downwards the blade below the piece to be cut

§ " " 16 to return in high position

**3 - If you carry out well these regulations, it is possible that the machine starts to work in SEMIAUTOMATIC cycle:**

Push key 20 to make a simulated cut; if everything is OK, the cutting unit goes down fastly, slows down 10 mm over the piece, cuts and then goes up. It does not go up if the function F3 has been chosed.

**It is better to make some cuts to check the cutting speed and others working conditions.**

**4 - Push together keys 4+25 to prepare AUTOMATIC CUT: if all is OK, button 25 flashes;**

§ **adjust the feeder stroke** = unlock the lever under the digital indicator, turn the wheel until you read 501.5 (500 mm piece lenght + 1.5 mm blade thickness)\* and close the lever

§ **adjust the feeder vice** = ( keys 4 and 18 = opening; 4 and 19 = closing)

§ **select the number of feeder stroke** = keep pushed key 26 and push key 11 or 13 to select : 1 for one stroke; 2 for two stroke; 3 for three stroke; max. 29 stroke. Release key 26

§ **select the number of pices to be cut** = keep pushed the key 27 and push key 11 or 13 to select one by one the quantity, or push key 14 or 15 to select hundred by hundred the quantity;. max. 9999 pieces. Release key 27

§ **zero-adjust the piece-counter** = keep pushed key 25 and push key 12 to zero-adjust the piece-counter. Release key 25.

*\* The above point is OK for 1 feeder stroke. In case of 2 feeder stroke you have to act as follows: piece lenght divided into 2 + blade thickness divided 2.*

*In case of 3 feeder stroke you have to act as follows: piece lenght divided into 3 + blade thickness divided into 3. And so on for 4, 5, 6, ...*

**5 - If you carry out well these selections, it is possible that the machine starts to work in AUTOMATIC cycle:**

Push key 20 to start the automatic cycle; if everything is OK the feeder moves backwards to take the material an the key 20 flashes.

**6 - Push again key 20 to start definitively the automatic cycle.**

**It is better to make some cuts and verify the lenght of cutted pieces in order to correct it by the decimal regulator putted at the end of feeder cylinder. (1 CLICK = 0,1 mm).**

NOTE : when the bar ends, the program returns to semiautomatic cycle.